

Technical Data

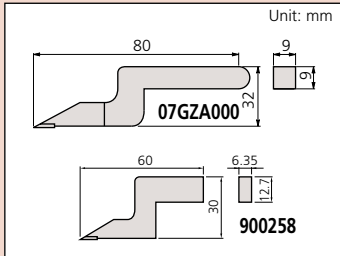
Dial reading: 0.01mm or .001"

Standard Scriber Provided

Metric models: Carbide-tipped scriber (07GZA000) and scriber clamp (05GZA033)

Inch/Metric models: Carbide-tipped scriber (900258) and scriber clamp (901385)

Dimension of scriber



Optional Accessories

- 953638: Holding bar for test indicator (length: 50mm)
- 900209: Holding bar for test indicator (length: 100mm)
- 953639: Holding bar for test indicator (length: 2")
- 900306: Holding bar for test indicator (length: 4")
- 900321: Swivel clamp used with holding bar (metric)
- 900322: Swivel clamp used with holding bar (inch)



Comfortable grip base



Easy and secure clamping



Easy and error free reading

Dial Height Gage

SERIES 192 — with Digital Counter

FEATURES

- Easy and error-free reading with both up and down digital counters as well as a dial.
- Provided with a feed wheel for easy coarse feeding.
- Carbide-tipped scriber is provided.
- The counters and dial can be re-zeroed at any scriber position.

SPECIFICATIONS

Metric

| Range | Order No. | Accuracy | Graduation | Mass (kg) |
|------------|-----------|----------|------------|-----------|
| 0 - 300mm | 192-130 | ±0.03mm | 0.01mm | 4.2 |
| 0 - 450mm | 192-131 | ±0.05mm | 0.01mm | 9.2 |
| 0 - 600mm | 192-132 | ±0.05mm | 0.01mm | 9.8 |
| 0 - 1000mm | 192-133 | ±0.07mm | 0.01mm | 17.0 |

Inch

| Range | Order No. | Accuracy | Graduation | Mass (kg) |
|---------|-----------|----------|------------|-----------|
| 0 - 12" | 192-150 | ±.0015" | .001" | 4.2 |
| 0 - 18" | 192-151 | ±.002" | .001" | 9.2 |
| 0 - 24" | 192-152 | ±.002" | .001" | 9.8 |
| 0 - 40" | 192-153 | ±.003" | .001" | 17.0 |



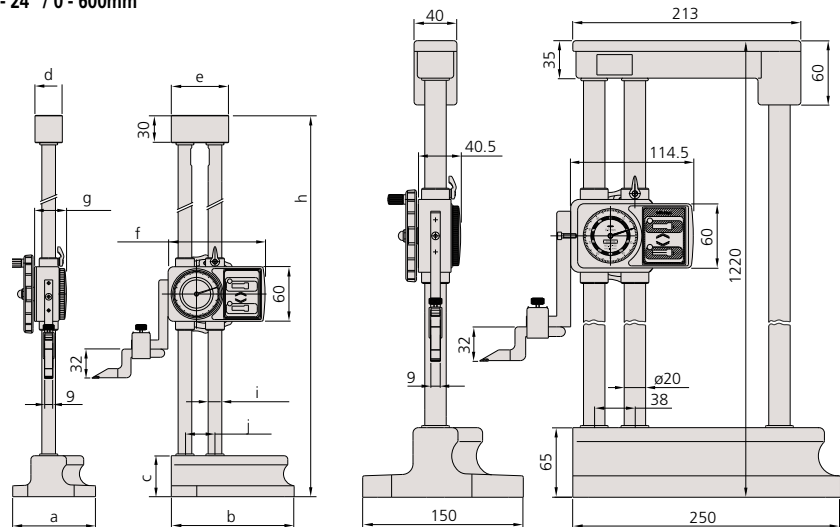
192-150

DIMENSIONS

0 - 12" / 0 - 300mm, 0 - 18" / 0 - 450mm
0 - 24" / 0 - 600mm

0 - 40" / 0 - 1000mm

Unit: mm



| Range | a | b | c | d | e | f | g | h | i | j |
|---------------|-----|-----|----|----|----|-------|------|-----|-----|----|
| 0-12"/0-300mm | 91 | 135 | 45 | 30 | 63 | 106.5 | 35.5 | 470 | ø15 | 33 |
| 0-18"/0-450mm | 120 | 180 | 54 | 32 | 70 | 114.5 | 40.5 | 645 | ø20 | 38 |
| 0-24"/0-600mm | 120 | 180 | 54 | 32 | 70 | 114.5 | 40.5 | 798 | ø20 | 38 |